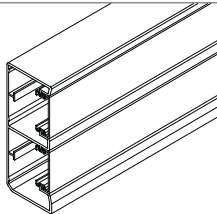
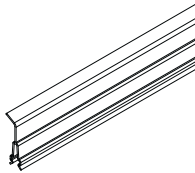
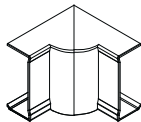
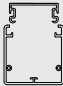
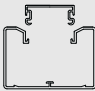
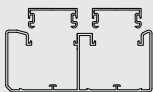
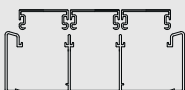
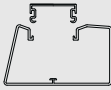
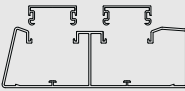
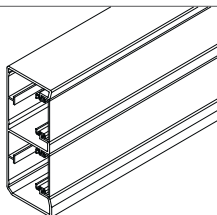
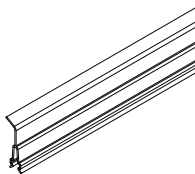
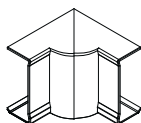
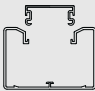
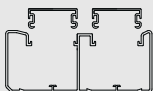
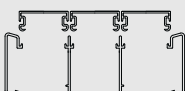


<b>Canale con coperchio in PVC per apparecchi con modulo 45 mm</b>  <b>Trunking with cover of PVC for devices module 45 mm</b>				
Dimensioni/Divisibile in scomparti Dimensions/Compartments option		Canale Trunking	Separatore Separator	Angolo interno variabile Variable internal angle
	54x54mm /2	KG5555.3	KGTR55	
	85x56 mm /2	KG5585.3	KGTR55	KGI5585.3
	134x56 mm /4	KG55135-2.3	KGTR55	KGI55135.3
	162x56 mm /3	KG55165-3.3		KGI55165.3

	105x56 mm /2	KG55105.3	KGTR55	KGI55105.3
	175x56 mm /4	KG55175-2.3	KGTR55	KGI55175.3

<b>Canale con coperchio in ALLUMINIO per apparecchi con modulo 45 mm</b>  <b>Trunking with cover of ALUMINIUM for devices module 45 mm</b>				
Dimensioni/Divisibile in scomparti Dimensions/Compartments option		Canale Trunking	Separatore Separator	Angolo interno variabile Variable internal angle
	85x56 mm /2	KG5585A	KGTR55	KGI5585.AL *
	134x56 mm /4	KG55135-2A	KGTR55	KGI55135.AL *
	162x56 mm /3	KG55165-3A		KGI55165.AL *